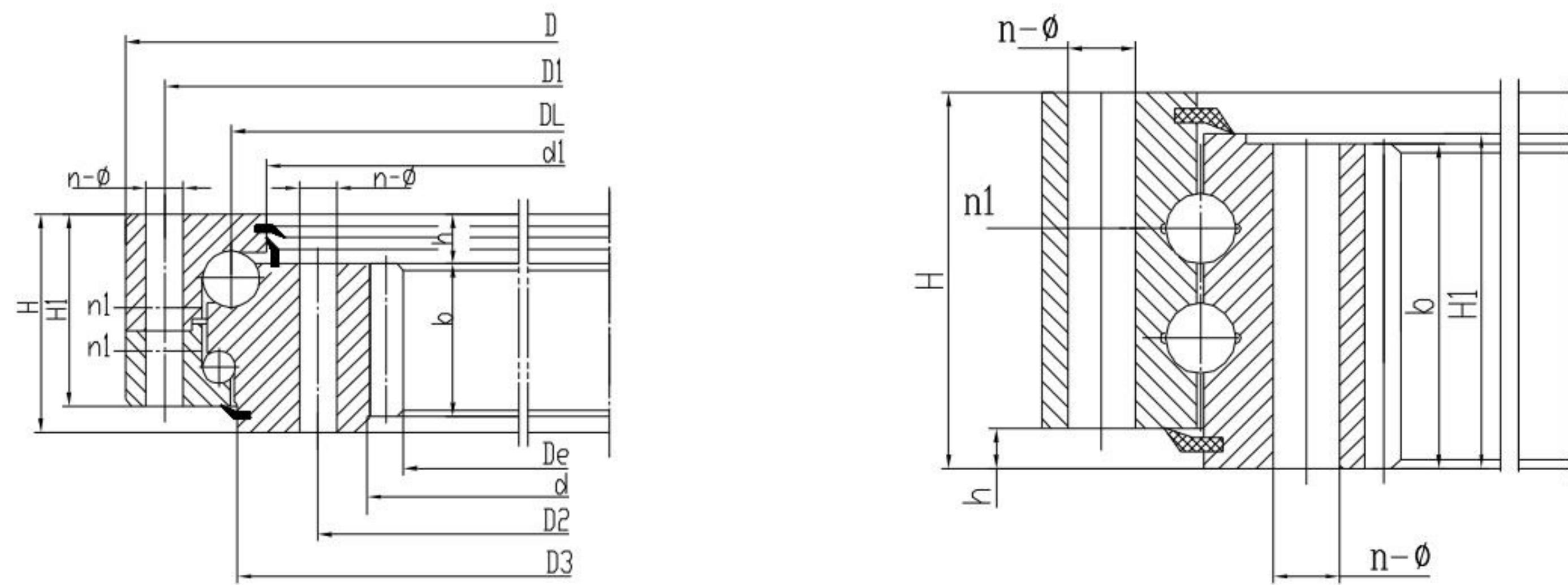


Internal-toothed Double Row Angular Contact Slewing Bearings

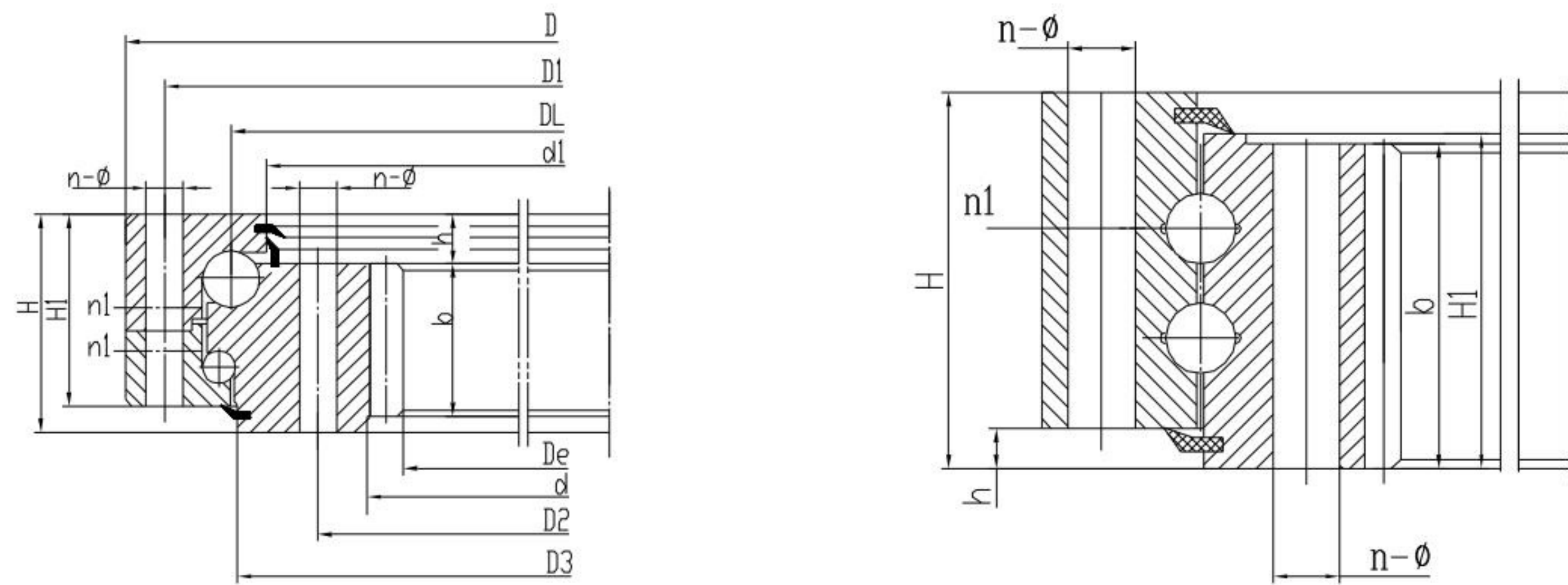


NOTE:

1. n1 is the number of lubricating oil holes, the customer can specify the location of oil holes according to the use situation.
2. n-φ can be changed into thread hole, thread diameter M, thread depth 2M.
3. The specifications in this sample are standard products, please contact SINOFOUV for any other special requirements.

Bearing Part Number	Boundary Dimensions				Mounting Hole Dimensions				Configuration Dimensions						Gear Parameter				Weight kg
	De	D	d	H	D1	D2	n	φ	D3	d1	H1	h	n1	M	m	Z	b	x	
	mm				mm			mm											
HSN500D	257	616	384	106	580	420	20	18	482	477	96	26	4	16	5	72	60	+0.5	126
HSN500DM	350.4	616	384	106	580	420	20	18	482	477	96	26	4	16	6	59	60	+0.5	128
HSN560D	417	676	444	106	640	480	20	18	542	537	96	26	4	16	5	84	60	+0.5	143
HSN560DM	410.4	676	444	106	640	480	20	18	542	537	96	26	4	16	6	69	60	+0.5	144
HSN630D	482.4	746	514	106	710	550	24	18	612	607	96	26	4	16	6	81	60	+0.5	160
HSN630DM	475.2	746	514	106	710	550	24	18	612	607	96	26	4	16	8	60	60	+0.5	162
HSN710D	560.4	826	594	106	790	630	24	18	692	687	96	26	4	16	6	94	60	+0.5	183
HSN710DM	555.2	826	594	106	790	630	24	18	692	687	96	26	4	16	8	70	60	+0.5	184
HSN762D	640	850	640	93	820	705	36	17.5	760	764	83	10	4	16	8	81	83	0.5	140
HSN800D	619.2	942	658	124	898	702	30	22	777	771	114	29	6	20	8	78	80	+0.5	300
HSN800DM	614	942	658	124	898	702	30	22	777	771	114	29	6	20	10	62	80	+0.5	301
HSN900D	715.2	1042	758	124	998	802	30	22	877	871	114	29	6	20	8	90	80	+0.5	337
HSN900DM	714	1042	758	124	998	802	30	22	877	871	114	29	6	20	10	72	80	+0.5	335
HSN1000D	814	1142	858	124	1098	902	36	22	977	971	114	29	6	20	10	82	80	+0.5	371
HSN1000DM	796.8	1142	858	124	1098	902	36	22	977	971	114	29	6	20	12	67	80	+0.5	383
HSN1120D	924	1262	978	124	1218	1022	36	22	1097	1091	114	29	6	20	10	93	80	+0.5	429
HSN1120DM	916.8	1262	978	124	1218	1022	36	22	1097	1091	114	29	6	20	12	77	80	+0.5	432
HSN1250D	1012.8	1426	1074	160	1374	1126	40	26	1215	1214	150	39	5	24	12	85	90	+0.5	746
HSN1250DM	1013.6	1426	1074	160	1374	1126	40	26	1215	1214	150	39	5	24	14	73	90	+0.5	741
HSN1400D	1156.8	1576	1224	160	1524	1272	40	26	1365	1364	150	39	5	24	12	97	90	+0.5	850
HSN1400DM	1153.6	1576	1224	160	1524	1272	40	26	1365	1364	150	39	5	24	14	83	90	+0.5	850
HSN1600D	1349.6	1776	1424	160	1724	1476	45	26	1565	1564	150	39	5	24	14	97	90	+0.5	979
HSN1600DM	1350.4	1776	1424	160	1724	1476	45	26	1565	1564	150	39	5	24	16	85	90	+0.5	972
HSN1800D	1545.6	1976	1624	160	1924	1676	45	26	1765	1764	150	39	5	24	14	111	90	+0.5	1117
HSN1800DM	1542.4	1976	1624	160	1924	1676	45	26	1765	1764	150	39	5	24	16	97	90	+0.5	1116
HSN2000D	1702.4	2215	1785	190	2149	1851	48	33	1965	1962	178	47	8	30	16	107	120	+0.5	1733
HSN2000DM	1699.2	2215	1785	190	2149	1851	48	33	1965	1962	178	47	8	30	18	95	120	+0.5	1732

Internal-toothed Double Row Angular Contact Slewing Bearings



NOTE:

1. n1 is the number of lubricating oil holes, the customer can specify the location of oil holes according to the use situation.
2. n-φ can be changed into thread hole, thread diameter M, thread depth 2M.
3. The specifications in this sample are standard products, please contact SINOFOLIV for any other special requirements.

Bearing Part Number	Boundary Dimensions				Mounting Hole Dimensions				Configuration Dimensions						Gear Parameter				Weight kg
	De	D	d	H	D1	D2	n	φ	D3	d1	H1	h	n1	M	m	Z	b	x	
	mm				mm			mm						mm					
HSN2240D	1942.4	2455	2025	190	2389	2091	48	33	2206	2202	178	47	8	30	16	122	120	+0.5	1956
HSN2240DM	1933.2	2455	2025	190	2389	2091	48	33	2206	2202	178	47	8	30	18	108	120	+0.5	1973
HSN2500D	2203.2	2715	2285	190	2649	2351	56	33	2465	2462	178	47	8	30	18	123	120	+0.5	2164
HSN2500DM	2188	2715	2285	190	2649	2351	56	33	2465	2462	178	47	8	30	20	110	120	+0.5	2204
HSN2800D	2491.2	3015	2585	190	2949	2651	56	33	2765	2762	178	47	8	30	18	139	120	+0.5	2486
HSN2800DM	2488	3015	2585	190	2949	2651	56	33	2765	2762	178	47	8	30	20	125	120	+0.5	2485
HSN3150D	2768	3428	2872	226	3338	2962	56	45	3104	3102	214	56	8	42	20	139	150	+0.5	4137
HSN3150DM	2758.8	3428	2872	226	3338	2962	56	45	3104	3102	214	56	8	42	22	126	150	+0.5	4167
HSN3310D	3000	3500		240	3435	3190	88	37	3255	3262	214	50	16	33	24	126	190	+0.5	3380
HSN3550D	3168	3828	3272	226	3738	3362	56	45	3504	3502	214	56	8	42	20	159	150	+0.5	4700
HSN3550DM	3176.8	3828	3272	226	3738	3362	56	45	3504	3502	214	56	8	42	22	145	150	+0.5	4627
HSN4000D	3616.8	4278	3722	226	4188	3812	60	45	3954	3952	214	56	10	42	22	165	150	+0.5	5298
HSN4000DM	3610	4278	3722	226	4188	3812	60	45	3954	3952	214	56	10	42	25	145	150	+0.5	5309
HSN4500D	4122.8	4778	4222	226	4688	4312	60	45	4454	4452	214	56	10	42	22	188	150	+0.5	5952
HSN4500DM	4110	4778	4222	226	4688	4312	60	45	4454	4452	214	56	10	42	25	165	150	+0.5	6011